

MRXH Ext Pyramid w/ Alum pole

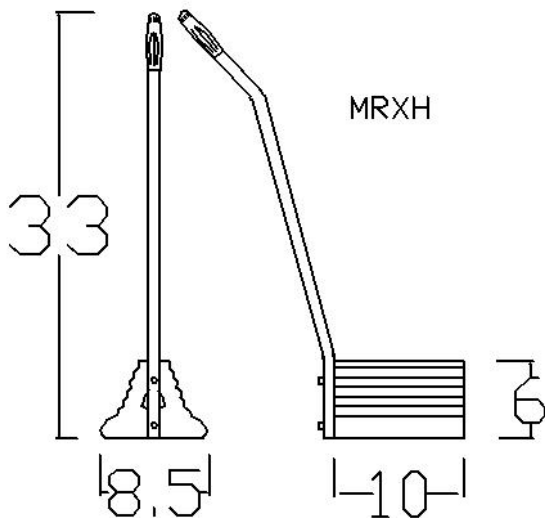
MODEL 21107162

Dock Wheel Chock

MRXH an extruded rubber, pyramid style chock. This double sided “tank” chock allows for quick placement on either side to the trailer. Extremely visible and easy to use.

MRXH features extremely durable (indestructible) 70 durometer SBR rubber. Also, features an eye for lanyard or chain attachment. Offers more resistant force than any other rubber wheel chock

- Extruded SBR Rubber
- 33H x 10W x 8.5L
- WEIGHT: 18 Lbs.



MATERIAL SAFETY DATA SHEET

LARGE TIRE	Loading dock, general use. Extremely Rugged.
DOCK RATING	Effective single limit 12000 pounds of force.
STANDARDS MET	Exceeds DOT parking brake standards when used in pairs.